



HepcoMotion®

MCS aluminium frame and machine construction system New Components Data

This supplement is to be read
in conjunction with the
main MCS catalogue

HEPCO®

www.HepcoMotion.com

MCS Machine Construction System

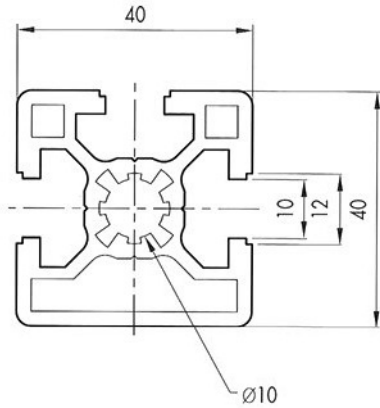
MCS CLEAR FACE ALUMINIUM PROFILES

One or two no slot faces suitable for general frames where improved cosmetic appearance is required or for use in clean room applications.

40 x 40 1 NS

QUICK REFERENCE

0-132-4001



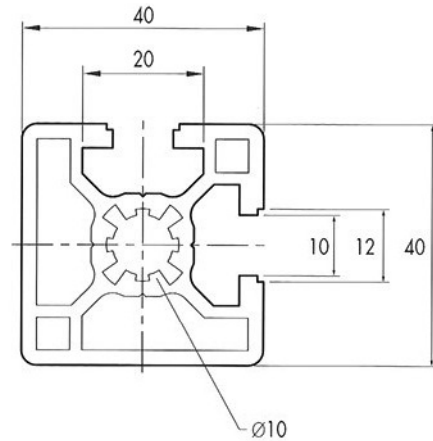
TECHNICAL DATA

• Max. Length	5600mm
• Mass	1.70kg/m
• Moment of Inertia (cm ⁴)	l _{xx} 10.2
	l _{yy} 9.8
• Section Modulus (cm ³)	W _{xx} 5.1
	W _{yy} 4.9

40 x 40 2 NS

QUICK REFERENCE

0-132-4002



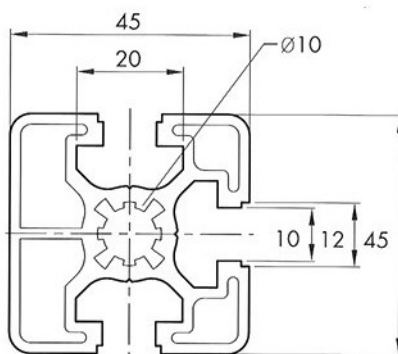
TECHNICAL DATA

• Max. Length	5600mm
• Mass	1.70kg/m
• Moment of Inertia (cm ⁴)	l _{xx} 10.2
	l _{yy} 10.2
• Section Modulus (cm ³)	W _{xx} 5.1
	W _{yy} 5.1

45 x 45 1 NS

QUICK REFERENCE

0-132-4501



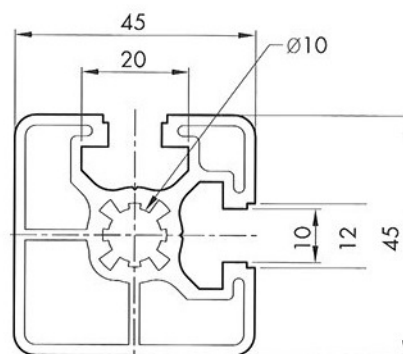
TECHNICAL DATA

• Max. Length	5600mm
• Mass	2.00kg/m
• Moment of Inertia (cm ⁴)	l _{xx} 13.0
	l _{yy} 13.3
• Section Modulus (cm ³)	W _{xx} 5.8
	W _{yy} 5.9

45 x 45 2 NS

QUICK REFERENCE

0-132-4502



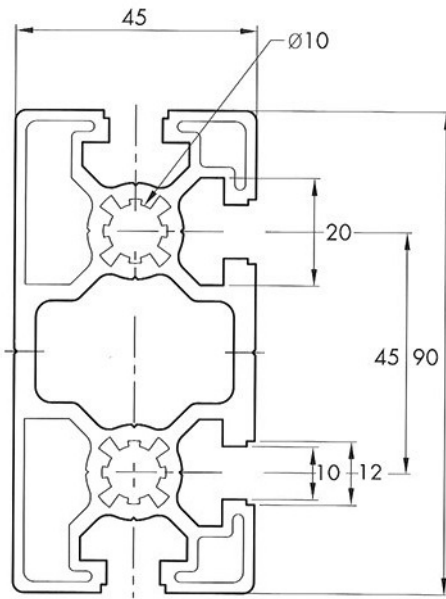
TECHNICAL DATA

• Max. Length	5600mm
• Mass	2.00kg/m
• Moment of Inertia (cm ⁴)	l _{xx} 12.7
	l _{yy} 12.7
• Section Modulus (cm ³)	W _{xx} 5.6
	W _{yy} 5.6

45 x 90 2 NS

0-132-4592

QUICK REFERENCE



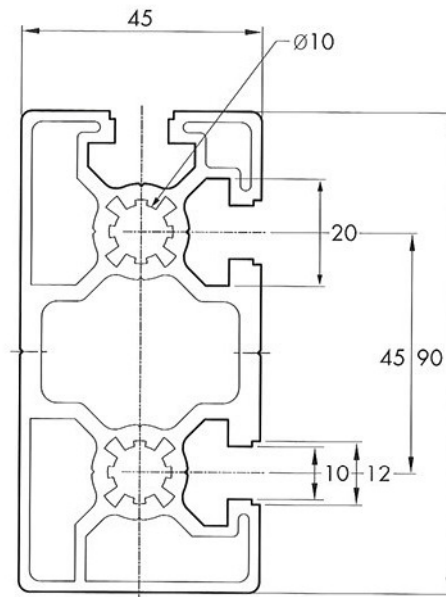
TECHNICAL DATA

• Max. Length	5600mm
• Mass	3.7kg/m
• Moment of Inertia (cm ⁴)	l _{xx} 96.0 l _{yy} 29.0
• Section Modulus (cm ³)	W _{xx} 21.33 W _{yy} 13.0

45 x 90 3 NS

0-132-4593

QUICK REFERENCE



TECHNICAL DATA

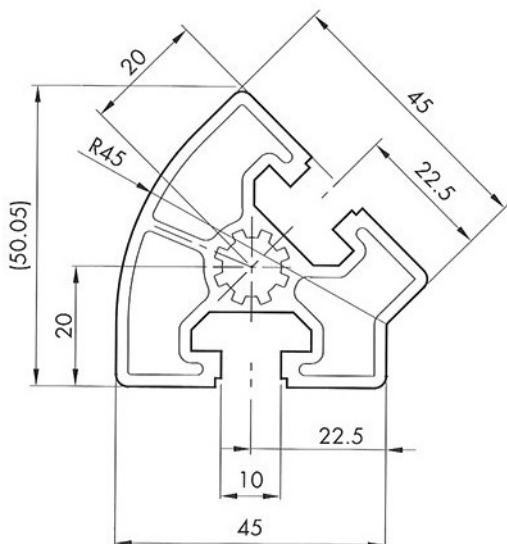
• Max. Length	5600mm
• Mass	3.7kg/m
• Moment of Inertia (cm ⁴)	l _{xx} 94.0 l _{yy} 28.0
• Section Modulus (cm ³)	W _{xx} 20.9 W _{yy} 12.4

MCS 45° ALUMINIUM PROFILE

45° Profile Section

1-242-4700

QUICK REFERENCE



TECHNICAL DATA

• Material	AL6063-T5
• Finish	CLEAR ANODIZED
• Max length	5600mm
• Mass	2.6kg/m

Note: For technical details of all profiles in the MCS range and additional comprehensive components please refer to the main MCS catalogue.

Symbols used in this supplement

- Size of profile T-slot – specify
- Profile end tapping size

MCS Machine Construction System

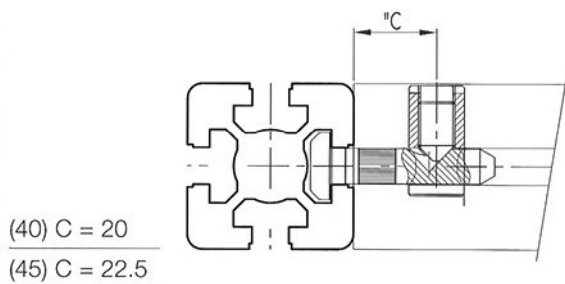
MCS FLEXI CONNECTORS

For maximum versatility, profile position adjustment and speedy assembly simply drill dimension 'C' to suit the relevant profile with 15.1mm Ø drill available from Hepco. Please note (40) refers to profiles of cross-sections 40, 80 & 160mm, (45) refers to profiles of cross-section 45, 60 & 90mm. Materials are zinc plated SM 20 C. (Drilling Jig available)
Order with Ball end Allen key Part No. 1-243-5555

Flexi T Connector (A)

(40) 1-242-4549

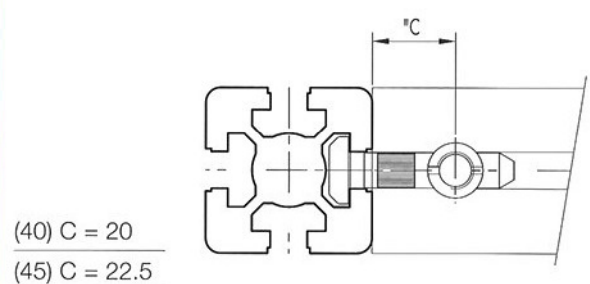
(45) 1-242-4550



Flexi T Connector (B)

(40) 1-242-4551

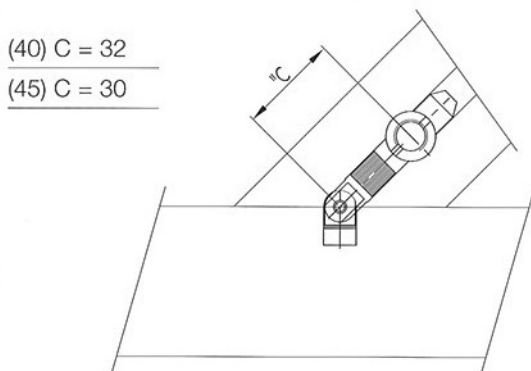
(45) 1-242-4552



Flexi Angle Connector

(40) 1-242-4553

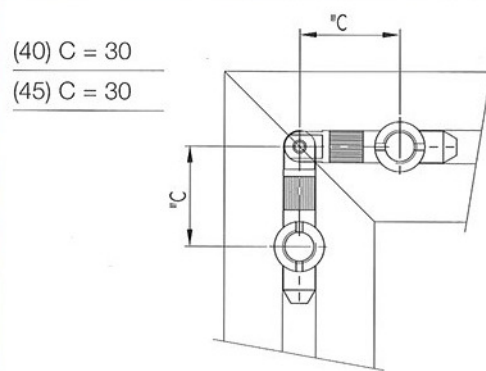
(45) 1-242-4554



Flexi Mitre Connector

(40) 1-242-4555

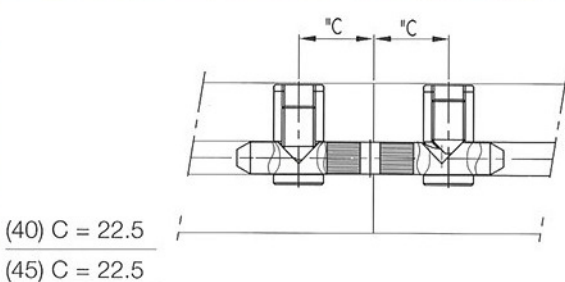
(45) 1-242-4556



Flexi Straight Connector

(40) 1-242-4557

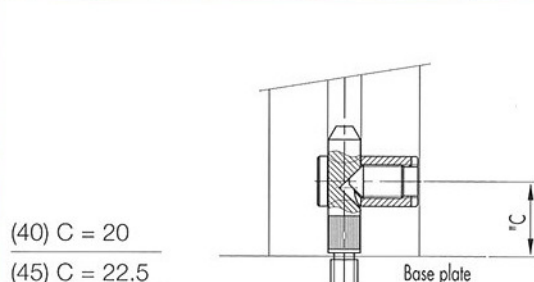
(45) 1-242-4558



Flexi Threaded Connector

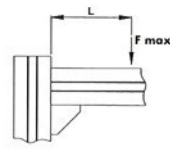
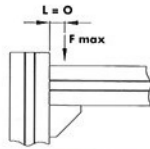
(40) 1-242-4559

(45) 1-242-4560



MCS Machine Construction System

SELECTION DATA

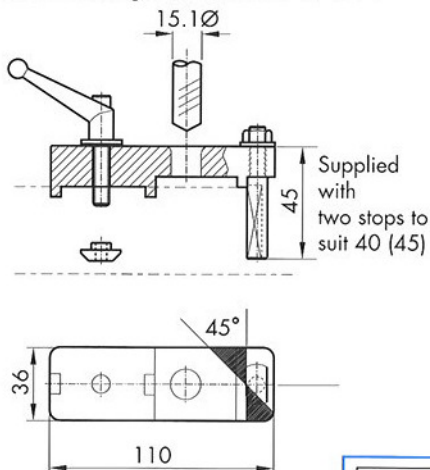


Profile Connection	Direct Load N	Offset Load (L x F) Nm	Joint Position
Flexi T Connector (A)	1500	140	
Flexi T Connector (B)	1500	140	
Flexi Angle Connector	1500	140	
Flexi Mitre Connector	1500	140	
Flexi Straight Connector	1500	140	
Flexi Threaded Connector	1500	140	

Flexi Connector Drilling Jig 45° ends

1-242-4561 *see note

For speedy drilling when using mitre connectors or angle connectors at 45°.



TECHNICAL DATA

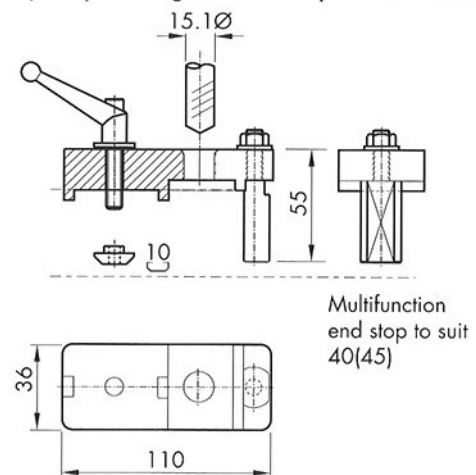
- Material STEEL
- Finish BLACK OXIDE

***Note:** Drilling jigs should be ordered with separate 15.1mm Ø drill (actual drill shank is 12mm Ø to suit most 'Jobbers' drills)
Part No 1-243-5556

Flexi Connector Drilling Jig 90° ends

1-242-4562 *see note

For speedy drilling for all 90° joint connectors.



TECHNICAL DATA

- Material STEEL
- Finish BLACK OXIDE

MCS GLAZING OPTIONS

8mm Tee Slot Glazing Strip **QUICK REFERENCE**
8

1-242-1056

2 Strips for panels
2mm to 4mm

1 Strips for panels
4mm to 6mm

TECHNICAL DATA

• Material	TPE
• Finish	BLACK
• Max. Length	CUT TO LENGTH

10mm Tee Slot Glazing Strip **QUICK REFERENCE**
10

1-242-1057

2 Strips for panels
1mm to 4mm

1 Strips for panels
5mm to 8mm

TECHNICAL DATA

• Material	TPE
• Finish	BLACK
• Max. Length	CUT TO LENGTH

Panel Holder **QUICK REFERENCE**
10

1-242-1045

For use in profiles with slot size 10. The two part holder can be inserted into a pre-assembled frame and allows the panel to be inserted/removed in situ. Supplied in 3m random length.

Thickness of panel: 5mm

TECHNICAL DATA

• Material	PVC
• Finish	BLACK
• Max. Length	3000mm

NEW ALUMINIUM COVER STRIP ADDED

Cover Strip

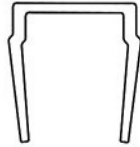
QUICK REFERENCE



Improves the look of finished frames, protects T-slots from contamination and secures electrical cable. Push fit.
Supplied in 3m random lengths.
New Aluminium strips for 10mm slots

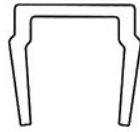
1-242-1037

For slot size 6



1-242-1038

For slot size 8



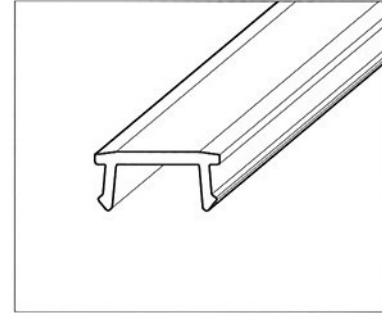
1-242-1016

Aluminium

1-242-1054(40)

1-242-1055(45)

For slot size 10



TECHNICAL DATA

• Material	Aluminium or PVC
• Finish	ANODIZED/BLACK
• Length	3000mm
• Mass	0.04kg/m
• Mass	Aluminium 0.06kg/m

NEW SELF TAPPING SCREW ADDED

Connection Screw

QUICK REFERENCE



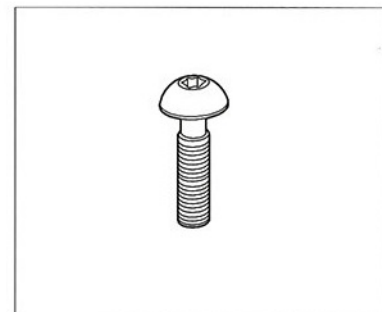
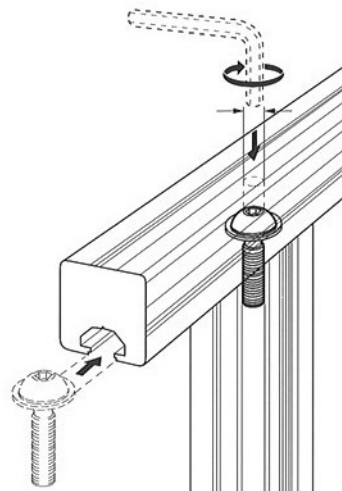
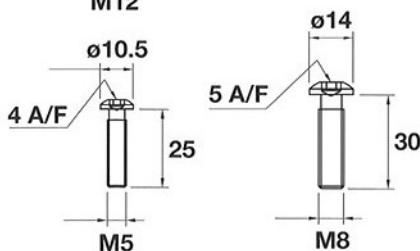
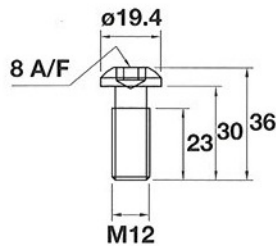
1-242-1033 M5 x 25

1-242-1034 M8 x 30

1-242-1005 M12 x 30

New self tapping screw for all 10mm T-slot connections

1-242-1011 S12 x 30



TECHNICAL DATA

• Material	EN 30
• Finish	ZINC PLATED

MCS Machine Construction System

Cable Clamp Block

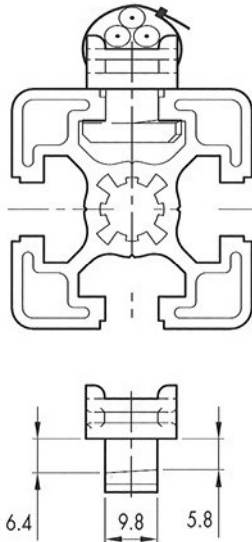
QUICK
REFERENCE

(40) 1-242-1052



(45) 1-242-1053

For location of small cables along profile length.



TECHNICAL DATA

- Material NYLON 66 G13
- Finish BLACK

Panel Mounting Block

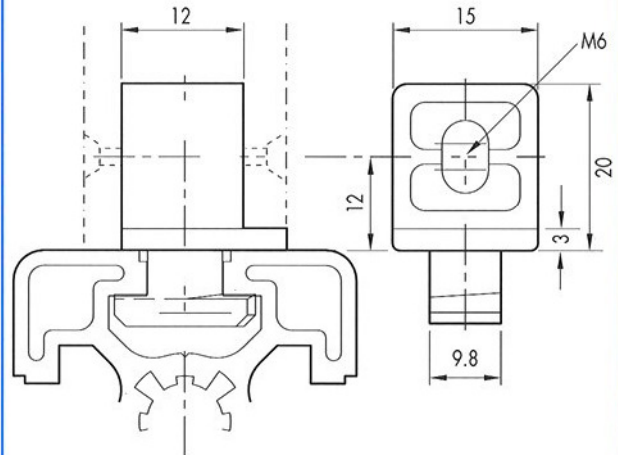
QUICK
REFERENCE

(40) 1-242-1050



(45) 1-242-1051

For direct mounting of various thickness panels. Quick 90° release allows for assembly or re-positioning of block in Profile T-slot. Simply drill 6mm Ø hole in panel to suit. Comes complete with retained M6 hexagon nut.



Panels can be fitted either side of blocks as dotted lines indicate.

TECHNICAL DATA

- Material NYLON 66 G13
- Finish BLACK
- Max. Length CUT TO LENGTH

FRANCE

HepcoMotion®

Cergy Pontoise, France
Tel: 01 34 64 30 44 Fax: 01 34 64 33 88
fr@hepcotion.com

HOLLAND

HepcoMotion®

Helmond, Nederland
Tel: (0031) (0) 492 551290 Fax: (0031) (0) 492 528105
nl@hepcotion.com

SPAIN

HepcoMotion®

Barcelona, España
Tel: (0034) 93 205 84 47 Fax: (0034) 93 280 62 14
es@hepcotion.com

GERMANY

HepcoMotion®

Feucht, Deutschland
Tel: 09128 9271-0 Fax: 09128 927150
de@hepcotion.com

KOREA

HepcoMotion®

Kyunggi-do, Korea
Tel: 031 298 3011-3 Fax: 031 298 3014
hepcokr@chollian.net

HepcoMotion®

Lower Moor Business Park, Tiverton Way
Tiverton, Devon, England EX16 6TG

Sales Dept

Tel: 01884 257000 Fax: 01884 243500
E-mail: sales@hepcotion.com

HEPCO®
www.HepcoMotion.com

CATALOGUE No. MCS SUP02 UK © 2003 Hepco Slide Systems Ltd.

Reproduction in whole or part without prior authorisation from Hepco is prohibited. Although every effort has been made to ensure the accuracy of the information in this catalogue, Hepco cannot accept liability for any omissions or errors. Hepco reserves the right to make alterations to the product resulting from technical developments.

Many Hepco products are protected by: Patents, Copyright, Design Right or Registered Design. Infringement is strictly prohibited and may be challenged in law.

The Customer's attention is drawn to the following clause in Hepco's conditions of sale:

'It shall be the Customer's sole responsibility to ensure that goods supplied by Hepco will be suitable or fit for any particular application or purpose of the Customer, whether or not such application or purpose is known to Hepco. The Customer will be solely responsible for any errors in, or omissions from, any specifications or information the Customer provides. Hepco will not be obliged to verify whether any such specifications or information are correct or sufficient for any application or purpose.'

Hepco's full conditions of sale are available on request and will apply to all quotations and contracts for the supply of items detailed in this catalogue. HepcoMotion® is the trading name of Hepco Slide Systems Ltd.